



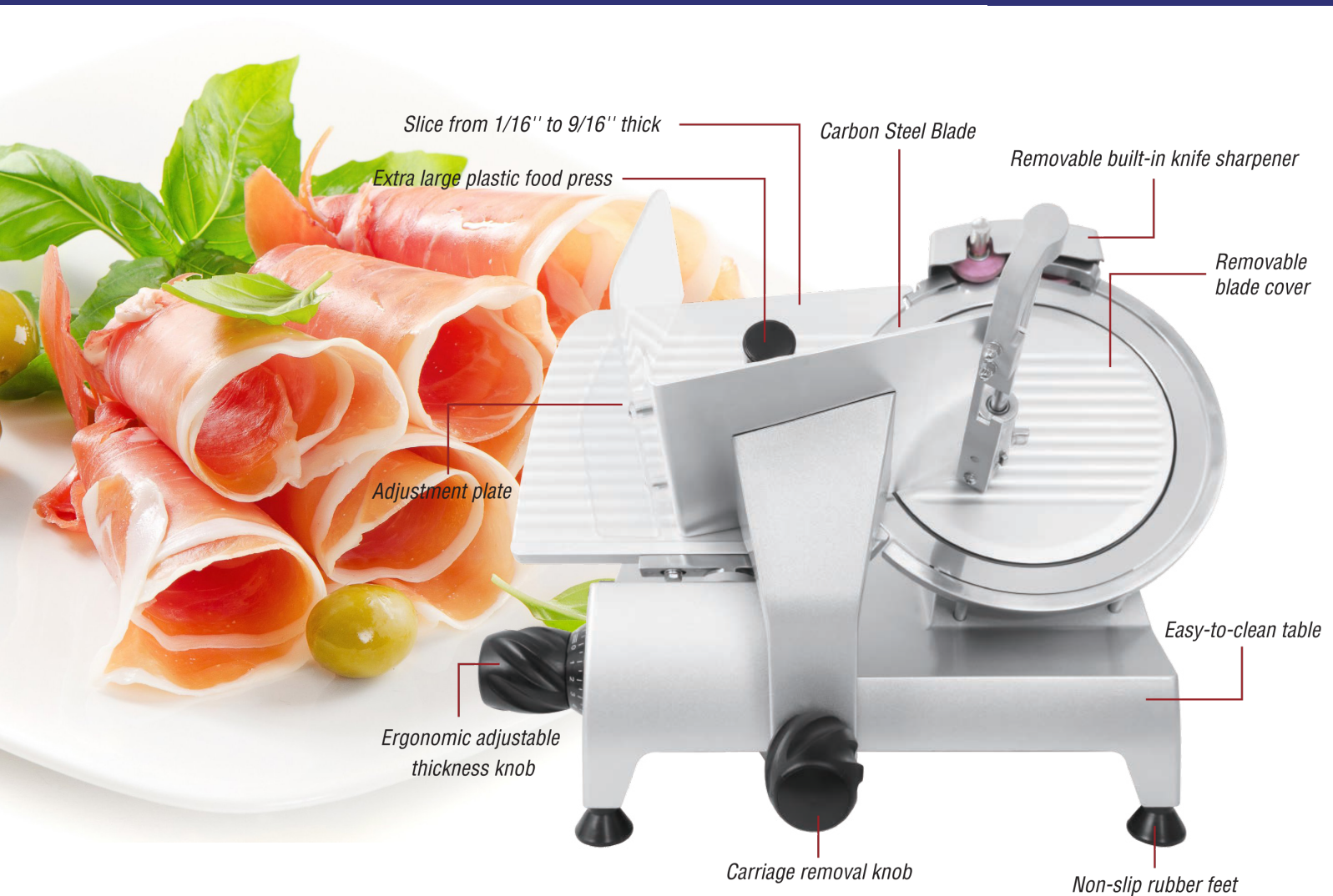
# MEAT SLICER

SERVING THE FOOD INDUSTRY SINCE 1951

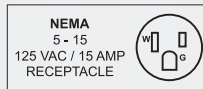
## 8" BLADE BELT-DRIVEN MEAT SLICER W/ FIXED SHARPENER 0.24 HP/180 W

Item: 39467

Model: MS-CN-0195



**WARRANTY**  
PARTS AND LABOR



Authorized Dealer

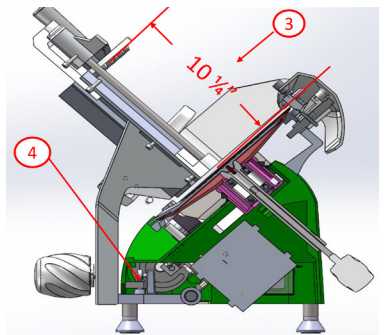
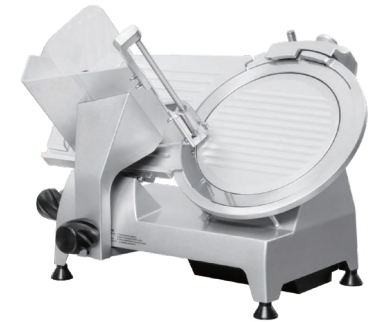
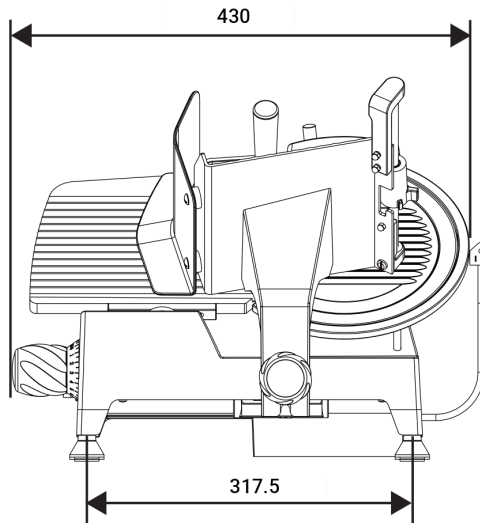
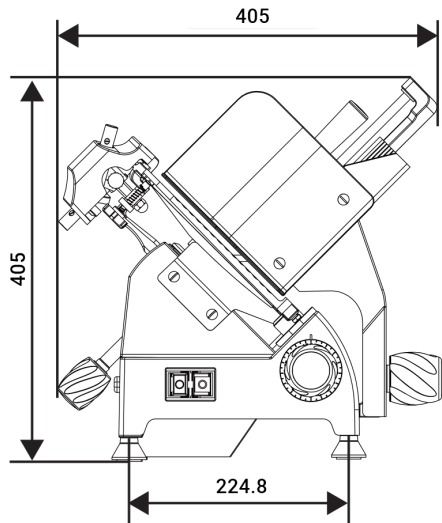
# 8" BLADE MEAT SLICER

#39467 Model: MS-CN-0195



## TECHNICAL DRAWINGS & DIMENSIONS

\*measurements in diagrams are in mm



## TECHNICAL SPECIFICATIONS

### 8" Blade Belt-Driven Meat Slicer With Fixed Sharpener 0.24 Hp/180 W

Item Number	39467
Model	MS-CN-0195
Blade Size	8" / 195 mm
Cut Thickness	0.1" to 0.6" 1.6 to 14.3 mm
Electrical	110V/ 60Hz /1
Power	0.20 HP / 0.15 kW
Motor Power	180W
Peak Power	350W
Cutting Size	6" x 5.5" 152.4 x 139.7 mm
Net Weight	11.9kg / 26.2 lbs
Gross Weight	13.9kg / 30.6 lbs
Net Dimensions (DWH)	430 x 405 x 405 mm 16.9" x 15.9" x 15.9"
Gross Dimensions (DWH)	480 x 460 x 460 mm 18.9" x 18.1" x 18.1"



#### Built-in Sharpener

Convenient feature ensures your blade stay sharp and never goes dull



#### Heavy Duty Pusher

Apply less pressure while ensuring a more consistent



#### Ergonomic Knob

Easy to operate and adjust your thickness



#### Carbon Steel Blade

Durable knife consistently cuts meats, vegetables and cheeses between 9/16" thick and paper thin



#### 45 Degree Feed Tray

Hold the food against the blade for the perfect cuts every time



#### Fixed Ring Guard

Safety feature helps prevent unintended contact with the blade

## OMCAN INC.

Telephone: 1-800-465-0234

Fax: (905) 607-0234

Email: sales@omcan.com

Website: www.omcan.com



Follow us to keep up to date with the latest news and offers

